

Less size. More Strike.



Stores Carriage Control Unit

GE's open-architecture stores carriage control unit offers a flexible, tailorable solution to control almost any payload on any platform ... from a TUAV to a B-52.

- Small enough to arm payloads on tactical vehicles
- Expandable and scalable payload management on large vehicles
- Enhanced packaging allows increased persistence, endurance, and greater payloads
- Helps reduce complexity, time-to-field, and cost

Small two station control computer or remote unit

Latest in ARM® processor technology

Expandable to meet legacy weapons requirements

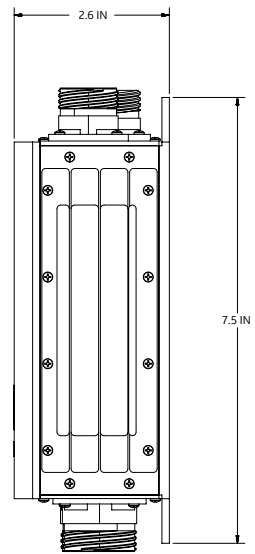
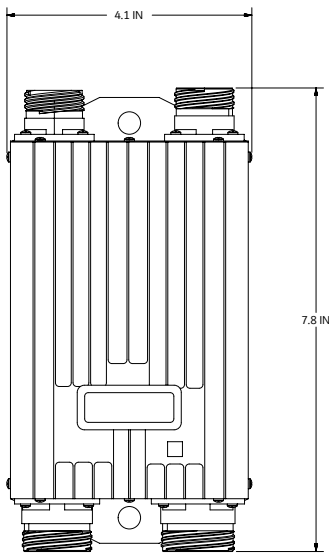
<2.5 lbs.

<60 in³ Total Volume

Patented GE Safety Architecture

UAI, MMSI, IMM, MIL-STD-1760E, STANAG 4586 Compatible





Introduction

Stores Carriage Control Unit (SCCU) is a scalable Stores Management System (SMS) that can work on light, unmanned vehicles, large strategic platforms, and everything in between. Its small size delivers a complete SMS capability to communicate, control, and power a store with a time-tested and patented GE Aviation Safety Architecture. GE's Safety Architecture combines hardware and software interlocking functionality for isolation of safety critical functions to ensure the right store is delivered on-time and on-target. This architecture is adopted for use on UxVs with additional design considerations for UxV-unique mission environments. This innovative product delivers a robust level of store integration capabilities to multiple platforms.

- Manage store launch from control station or allow various degrees of autonomy within SCCU software
- Complete control solution for managing stores on platforms

GE
Aviation
Avionics & Digital Systems

Al Guenthardt

Business Development Director - Mission Systems
3925 Gateway Centre Blvd.
Pinellas Park, FL 33782-6110
USA
T: +1 727 563 5099
C: +1 727 410 1718
E: Alvin.Guenthardt@ge.com

Operational characteristics

- Weight: <2.5 lbs
- Chassis: <60 in³ (4"W x 6"L x 2.5"H)
- Input AV interfaces
 - Ethernet 10 / 100 / 1000
 - MIL-STD-1553 capability (dual channel RT or BC)
 - RS-232 / 422 / 485
 - CAN bus 2.0
- Two individually configurable store stations
 - Interface for Micro Munitions (IMM - SAE AS5726)
 - Miniature Mission Store Interface (MMSI - SAE AS5725)
 - Essential MIL-STD-1760 interface subset
 - RS-422 / 485 serial interface
- Low-power ARM@ A7 processor
- STANAG 4586 formatted messages used to control safety critical outputs
- Rack & store carriage controls
- Universal Armament Interface (UAI) message compatibility
- Power
 - 28 VDC operating & safety
 - Rack power output
- Test interface
 - JTAG, USB, Ethernet configurable

Visit us online at:
<http://www.geaviation.com/systems>

2017 General Electric Company
All Rights Reserved